

BSA SERVICE SHEET No. 514

This sheet supersedes No. 814
Reprinted June 1959

"D" and "C" Group Models PLUNGER TYPE REAR SUSPENSION

DISMANTLING.

First remove the rear wheel, see Service Sheet No. 410 for "C" Group Models and No. 508 for "D" Group Models. "C" Group Part Nos. are shown in brackets where they differ from "D" Group Part Numbers.

Disconnect the rear mudguard stays, and take out the pinch bolts at the top and bottom of the rear suspension columns. The centre column, Part No. 90-4117, Fig. D27, can now be driven out using a soft drift so as to avoid damage to the end of the column.

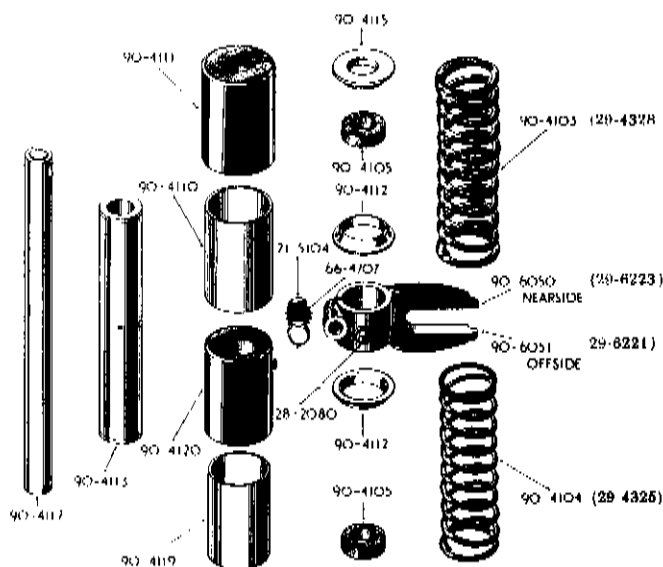


Fig. D27.

Grip the upper and lower shrouds firmly with both hands, compress the springs and lift out the suspension assembly.

Remove the shroud and springs from the sliding member, Part No. 90-4113. Carefully note the position of the steel washers and rubber bushes for subsequent assembly.

The bushes in the sliding member can now be examined for wear. If they require renewal, the tube complete with bushes must be replaced.

Unscrew the pinch bolt locknut, Part No. 21-5104, and take out the bolt. Insert a screwdriver into the slot, in the fork end 90-6051 (29-6221), the tube can then be withdrawn.

When replacing the tube ensure that the hole in the side of the tube lines up with the grease nipple in the fork end.

Note that the nearside fork end carries an anchor lug for the brake cover plate. On "C" Group Models the head of the right hand fork end clamping bolt is employed to secure the brake cover plate.

REASSEMBLY.

Replace the shroud and springs on the sliding member in the reverse order to that of dismantling.

Take up the assembly and place the lower shroud in the frame lug. Press down on the upper shroud to compress the springs, and slide the assembly between the lugs (Fig. D28)

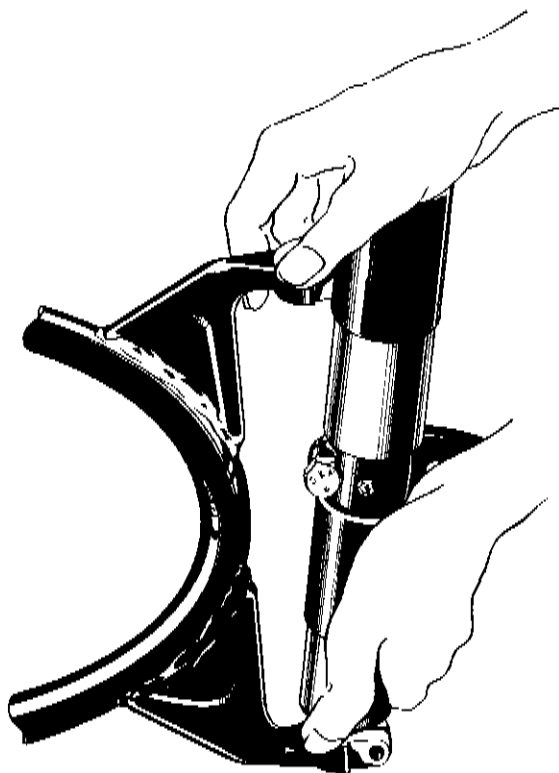


Fig. D28.

Use the Chamfer on the lower end of the centre column to locate the assembly correctly in the frame top and bottom lugs. Insert the column from the top, ensuring that the slots are in line with the pinch bolt hole.

Replace the pinch bolts mudguard stays and rear wheel, couple up the brake and adjust.

Finally check over all nuts and bolts for tightness.